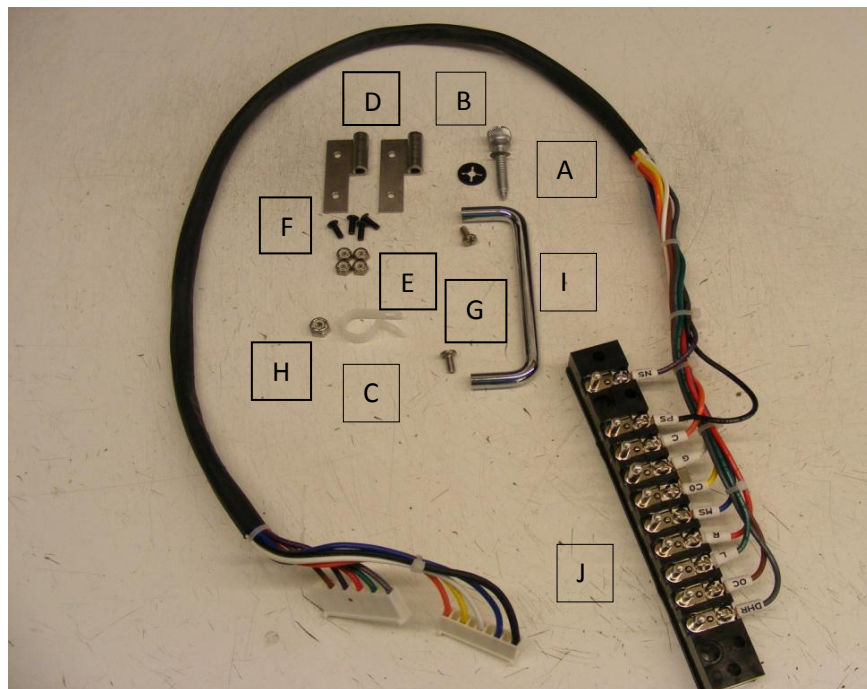




UVR-1/USC-II HOWARD CONVERSION INSTALLATION INSTRUCTIONS (01/22/14)

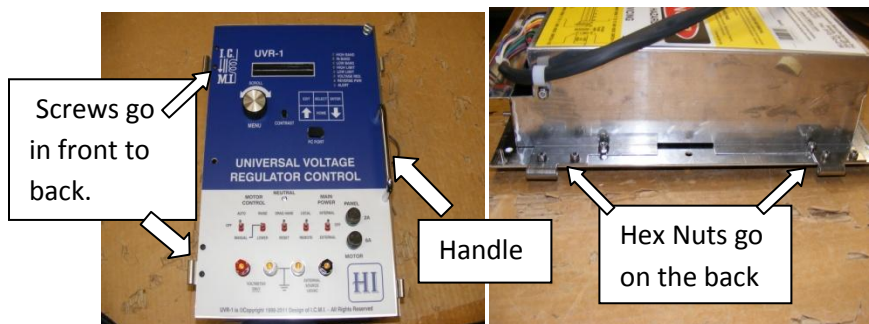


Parts List

- A. Latch Screw
- B. Latch Screw Retainer
- C. Cable Clamp
- D. Howard Hinges (2)
- E. #6-32x5/16 Hex Nuts (4)
- F. #6-32 Allen Screws (4)
- G. #8-32 Philips Screw (2)
- H. #10-32 Nylon Nut
- I. Chrome Handle
- J. Howard Harness With
Optional PDS Block

Tools Needed: ¼", 10/32" and 8/32 Hex Nut Driver. Philips Screw Driver, Hex Key and Exacto Knife.

1. Disconnect and Remove the existing harness and cable clamp (Retained by 10-32 Nylon Nut) From the UVR-1.
2. Remove the Rail (retained by two or four 8/32 hex nuts) From the UVR-1 (ignore this step if there isnt a rail installed).
3. Remove Siemens Magnet from the UVR-1 (Ignore this step if the magnet is not installed).



4. Locate the 4 holes for the Howard Hinges (Located on Front Left side of panel) and cut out the holes with the exacto knife. Then Using provided Allen Screws Hex nuts and hinges install them as shown in the pics above. Also install the Handle with the provided 8-32 screws (Screws mount from Bottom).

Amelia, OH USA

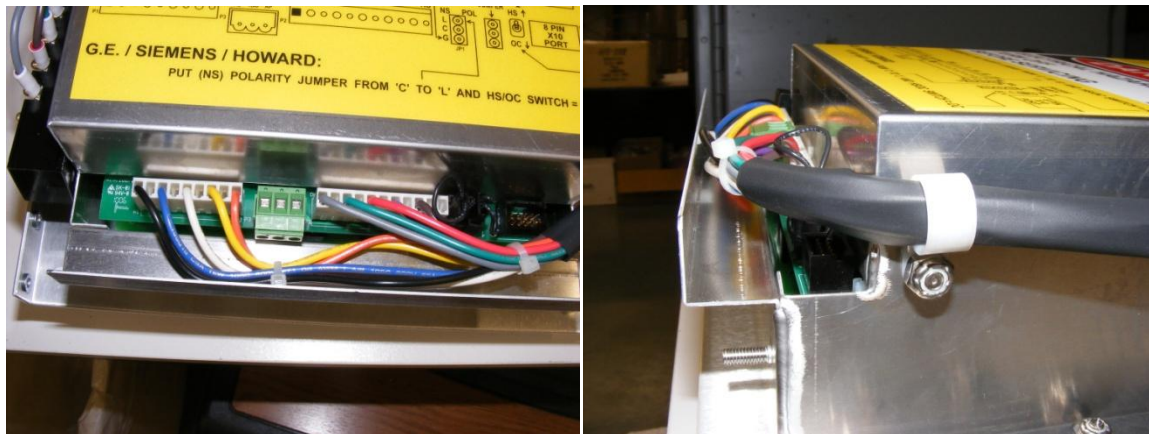
Phone: (513) 752-4731 · Fax: (513) 752-4738 · www.icmiinc.com · info@icmiinc.com

© 2014 by Inductive Components Manufacturing, Inc.

5. The Following Pictures show the Latch Screw. It installs from the top Right side hole (If the hole isnt cut out use Exacto knife to cut out hole) and then on the back side push the Latch Screw Retainer down the screw to secure it to the panel.



6. As shown in the Pictures below Connect Howard harness to the UVR-1 and secure it with the 10-32 Nylon Nut and Cable Clamp.



7. Connect the Howard harness to the Howard PDS Block (**Sold Separately**) and Connect it to the female PDS block mounted in the enclosure the control is mounting to. Please Make sure the wing nuts are really tight to ensure a good connection.
8. If converting a GE or Siemens control the Polarity jumper stays in Neutral Mode and the Toggle Switch Stays in OC Mode. If converting a Cooper style control make sure to switch the jumper to Neutral and the toggle switch to OC From HS.

NOTE: OPSS COUNTER SWITCH STATE CHANGE MUST SET TO EACH TRANSITION. Confirm the setting in either the control menu ("Cnfg. TapCh. OpCntInc") or in the Utility Software.

Amelia, OH USA

Phone: (513) 752-4731 · Fax: (513) 752-4738 · www.icmiinc.com · info@icmiinc.com

© 2014 by Inductive Components Manufacturing, Inc.